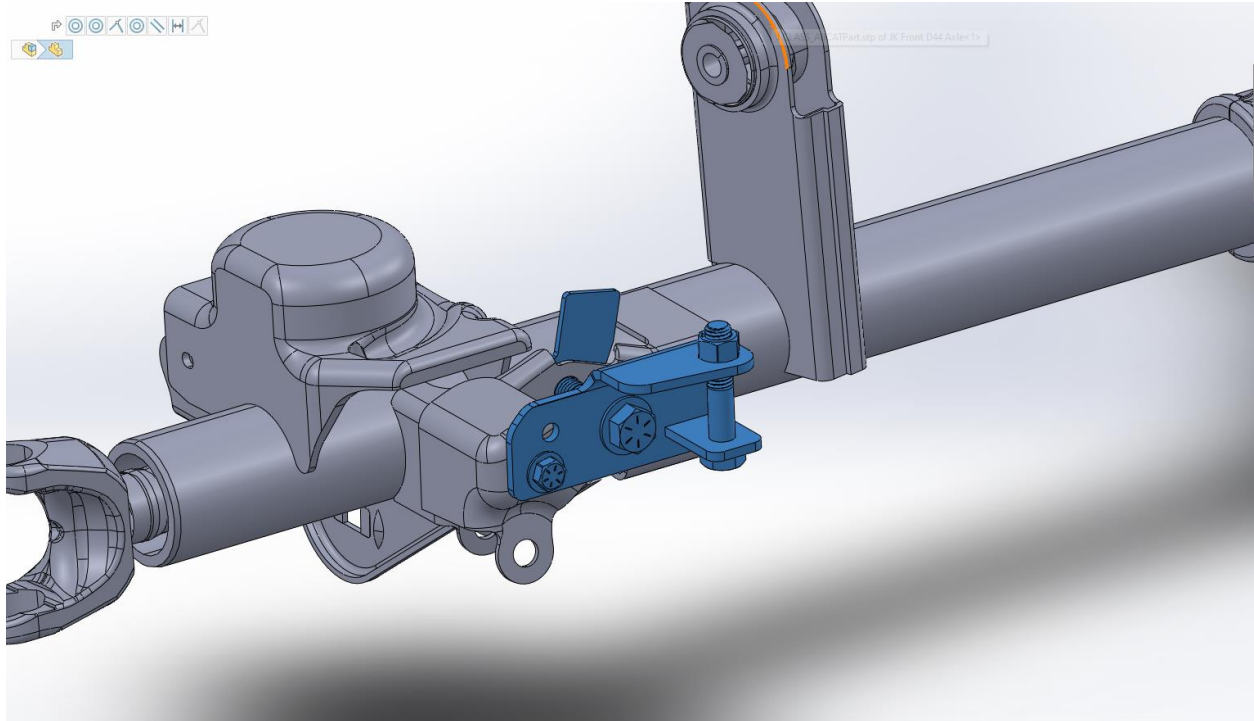




## **JK/ JL/ JT Stabilizer Relocation Bracket Install**

- 1. With the Jeep parked on level ground lift the front end and place on jack stands.**
- 2. To gain room to work depending on your steering it may be best to drop the drag link end on the knuckle side out of the way.**
- 3. Remove the factory stabilizer and clamp.**
- 4. Remove the factory stabilizer bracket off the axle.**
- 5. The 9/16 bolt will run through the RPM stabilizer bracket and then through the track bar bracket and track bar joint.**
- 6. Before tightening the 9/16 flag nut angle the bracket as shown in the image below. JK models will have a hole that aligns with the bottom 3/8in hole in the bracket. JL/JT models will need to mark the top hole and drill out the factory track bar bracket using a 3/8in drill bit.**
- 7. Install the 3/8in bolt into the hole using the provided washers and lock nut. This prevents the bracket from spinning.**
- 8. Now tighten down the 3/8 bolt/nut and the main 9/16 track bar bolt and flag nut**
- 9. Reinstall your drag link**
- 10. Remove jack stands**
- 11. Now you can install your stabilizer into the bracket. The tab spacing is designed to fit the Teraflex Falcon or Fox ATS with no washers. Standard Stabilizer will use the provided washer as a spacer to fill the gap. Install the 1/2" bolt and nut and tighten**
- 12. Install your clamp onto the tie rod and set the stabilizer in the correct position per the manufacturer's instructions. If you have questions, we can assist over the phone based on your stabilizer choice. Tighten clamp bolts. Test left and right lock to lock turning to ensure full clearance. Adjust as needed.**

### JK Axle



### JL/JT Axle

